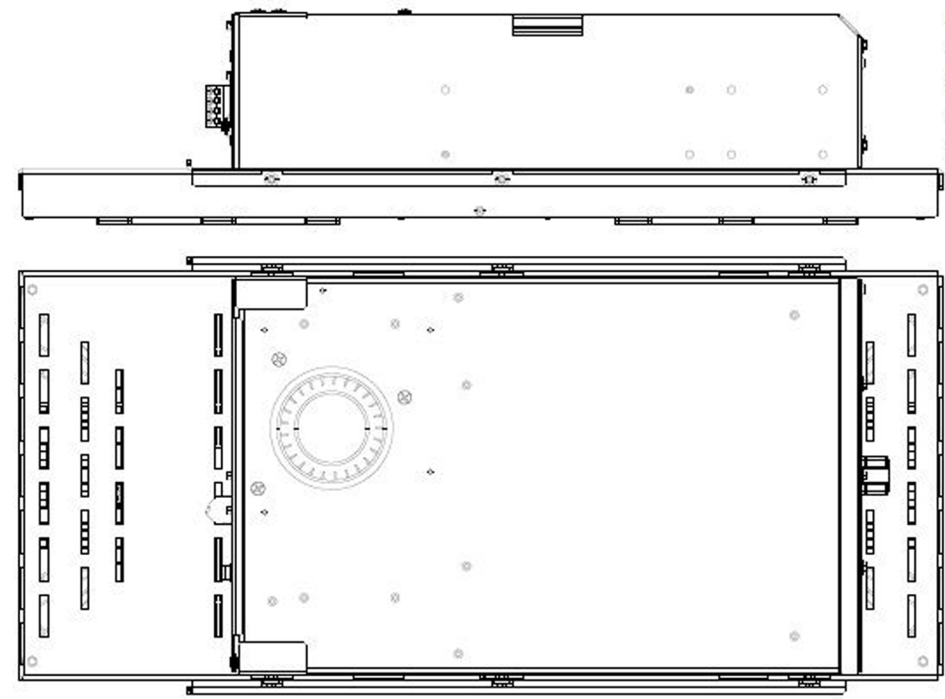
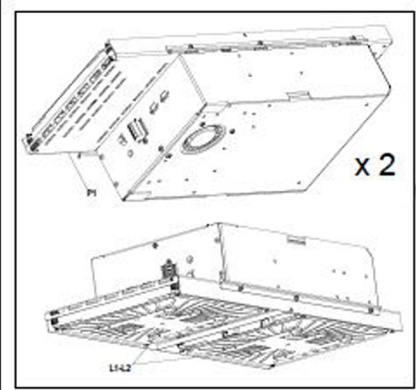


Mod	D92/10 GCII D92/10 TCII	D72/10 GCII D72/10 TCII
	550/90 GCII 550/90 TCII 1100/45 GCII 1100/45 TCII	Q70PC/IND401 Q70PC_/IND401 P800R-2GCI DROP IN DPCI40 DI7PC/IND401
	Q90PC/IND401 Q90PC_/IND401	D77PC/IND401
	N550PC/IND901 N550PC_/IND901 N1100PC/IND451 N1100PC_/IND451	74EINT
P(kW)	7/10	7/10
I(A)	10.7/15.2	18.4/26.3
U(V)	380-415V 3~	220-240V 3~
f(Hz)	50/60	50/60
Cable	4G2.5mm ²	4G6mm ²

Mod	D94/10 GCII D94/10 TCII	D74/10 GCII D74/10 TCII
	Q90PC/IND801 Q90PC_/IND801	Q70PC/IND801 Q70PC_/IND801 P800R-4GCI 78EINT
	1100/90 GCII 1100/90 TCII	
	N1100PC/IND901 N1100PC_/IND901	
P(kW)	14/20	14/20
I(A)	21.4/30.4	36.8/52.6
U(V)	380-415V 3~	220-240V 3~
f(Hz)	50/60	50/60
Cable	4G6mm ²	4G10mm ²



ref	
A	Lin-Knob
H1	12V DC Lamps
L1-L2	Flat Electromagnetic Coil
P1	Induction generator
X1	Mains terminal

